

A

B

C

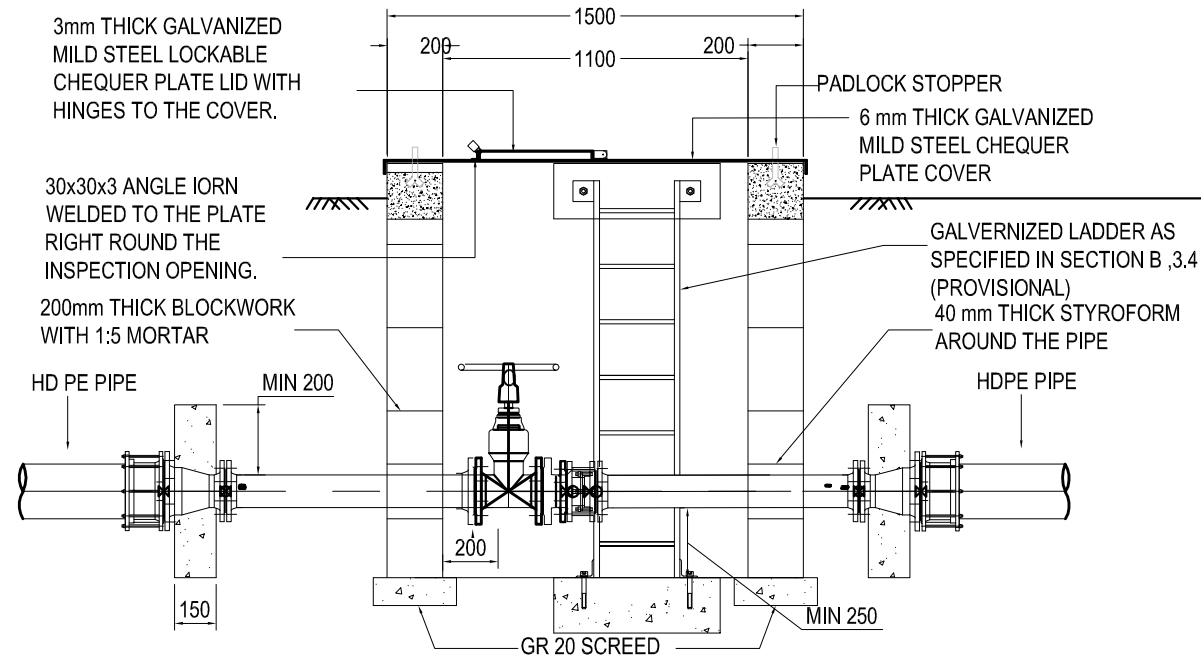
D

E

F

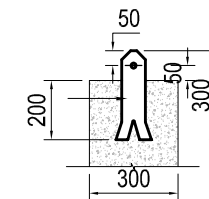
G

H

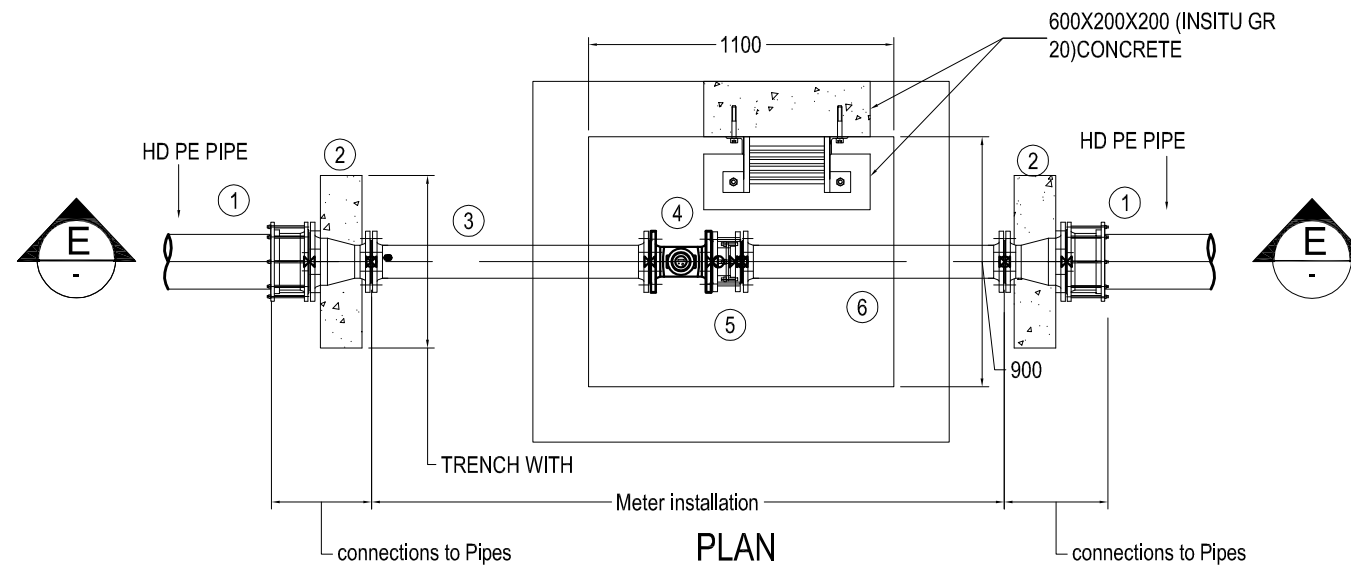


SECTION E-E

6 THICK 50x150 GALVANISED MS PLATE WITH 16 Ø HOLE, FISH TAILED AT ONE END & EMBEDDED IN CONCRETE



DETAILS OF PAD LOCK STOPPER



NOTES

- 1. ALL DIMENSIONS ARE IN MILLIMETERS.
- 2. ALL STEEL MUST BE GALVERNIZED

<p>DARFUR URBAN WATER SUPPLY PROJECT</p>	<p>CLIENT : PWC- PUBLIC WATER CORPORATION SWC- STATE WATER CORPORATION</p>		<p>VALVE Chamber Detiales</p>					<p>SHEET 1 OF 1</p>			
<p>Pipeline Network for Peri-Urban Area North Darfur ELFASHER</p>	<p>FUNDED BY: DFID DEPARTMENT FOR INTERNATIONAL DEVELOPMENT</p>		REV.	DESCRIPTION	DATE	SIGN.	DESIGNED: A.R	DRAWN: A.R	APPROVED FOR IMPLEMENTATION:		SCALE: N.T.S
	<p>IMPLEMENTED BY: UNOPS UNITED NATIONS OFFICE FOR PROJECT SERVICES</p>						CHECKED:	DRAFTING COORDINATION UNOPS	CONTRACT NUMBER:	DATE: Aug 2018	DRAWING NO: 002