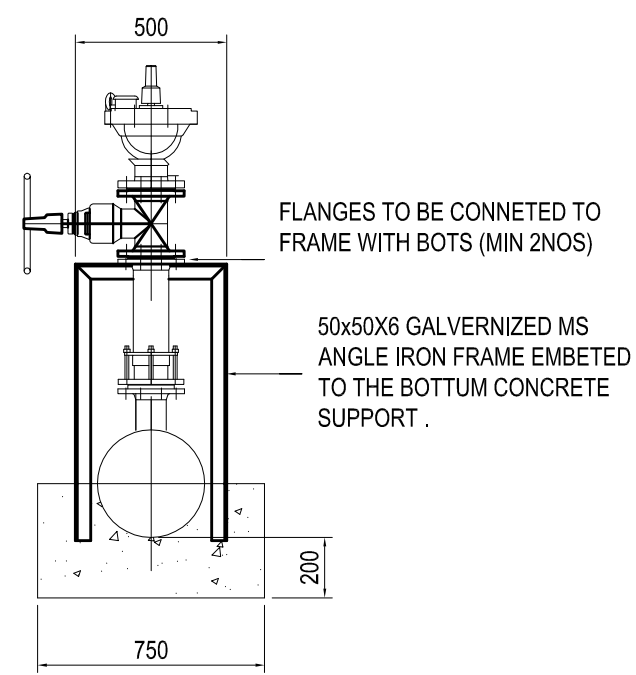
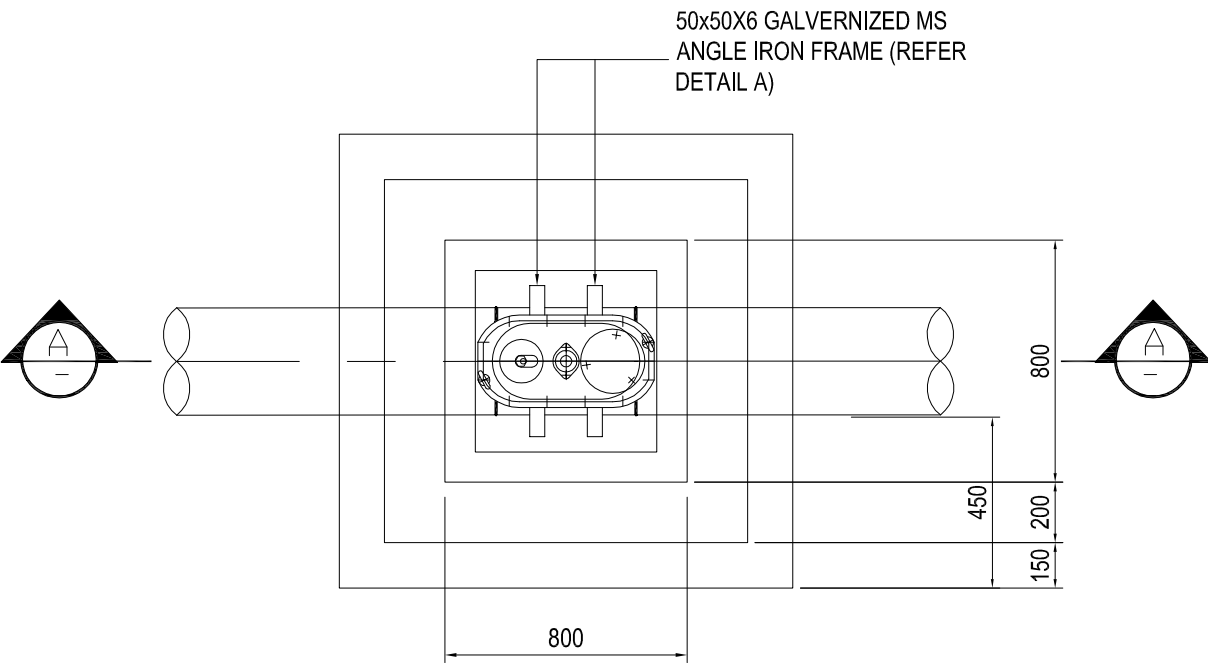


SECTION A-A

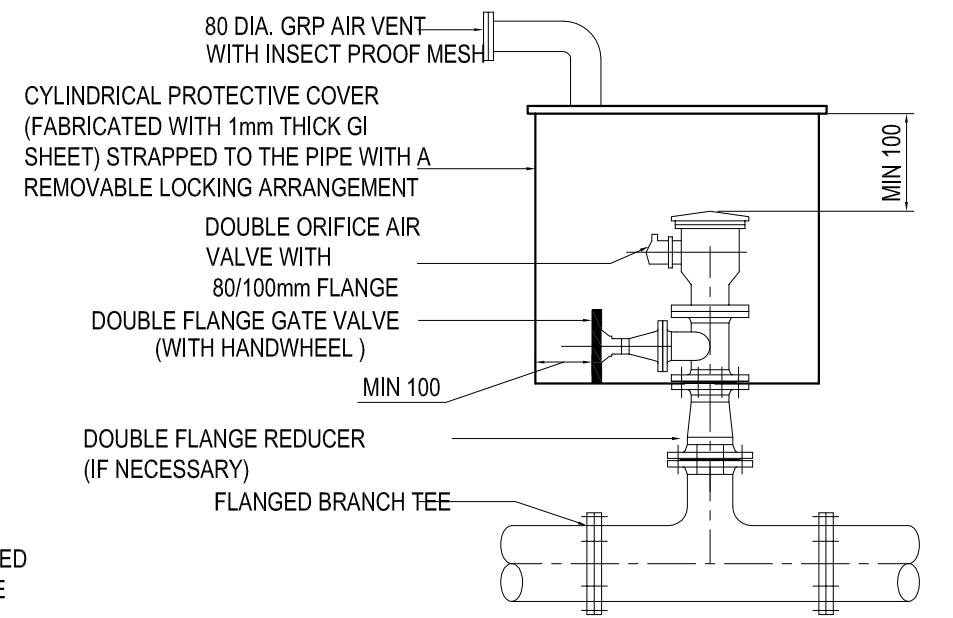


DETAIL A

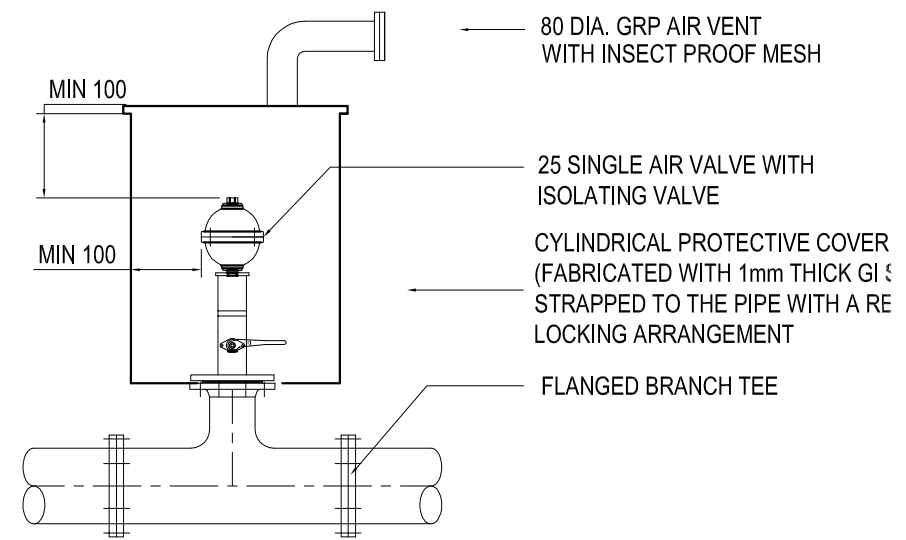


PLAN

AIR VALVE INSTALLATION IN BARRIED PIPE LINE

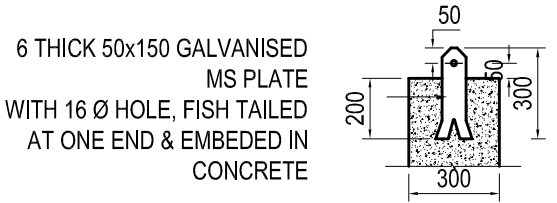


DOUBLE ORIFICE AIR VALVE



SINGLE ORIFICE AIR VALVE

AIR VALVE IS MOUNTED ON TOP OF ABOVE GROUND PIPE LINE



DETAILS OF PAD LOCK STOPPER

NOTES

1. ALL DIMENSIONS ARE IN MILLIMETERS.
2. ALTHOUGH THE PIPE LINE IS HDPE THE EXPOSED PORTIONS SHALL BE DI OR GI. REFER TO STD XXX FOR THE TYPICAL CONNECTION OF HDPE TO THEM.

| | | | | | | | | | | | | |
|---|--|------------------|---|---|--|--|--|----------|--------------------------------|------------------|-------------------|--------------------|
| DARFUR URBAN WATER SUPPLY PROJECT | | CLIENT : | PWC- PUBLIC WATER CORPORATION SWC- STATE WATER CORPORATION - | AIR VALVE INSTALLATION IN PE PIPE LINE | | | | | SHEET 1 OF 1 | | | |
| Pipeline Network for Peri-Urban Area North Darfur ELFASHER | | FUNDED BY: | DFID DEPARTMENT FOR INTERNATIONAL DEVELOPMENT | | | | | | REV. | DESCRIPTION | DATE | SIGN. |
| | | IMPLEMENTED BY : | UNOPS UNITED NATIONS OFFICE FOR PROJECT SERVICES | | | | | CHECKED: | DRAFTING COORDINATION UNOPS | CONTRACT NUMBER: | DATE: Aug 2018 | DRAWING NO: 004 |