

Project

Sudan THABAT - Enhancing Community Resilience Project - Additional Financing (AF) Component 1 (Community-Led Basic Services)

Organization



Mercy Corps Europe, Sudan

Donor



Sudan Transition and Recovery Support

Rehabilitation of Water points

Basundah Locality- Gadarif state

Lot (9)

- Babikrey (Water Yard)
- Alseaifa HP (Hand Pump)
- Haifa HP (Hand Pump)

Lot (10)

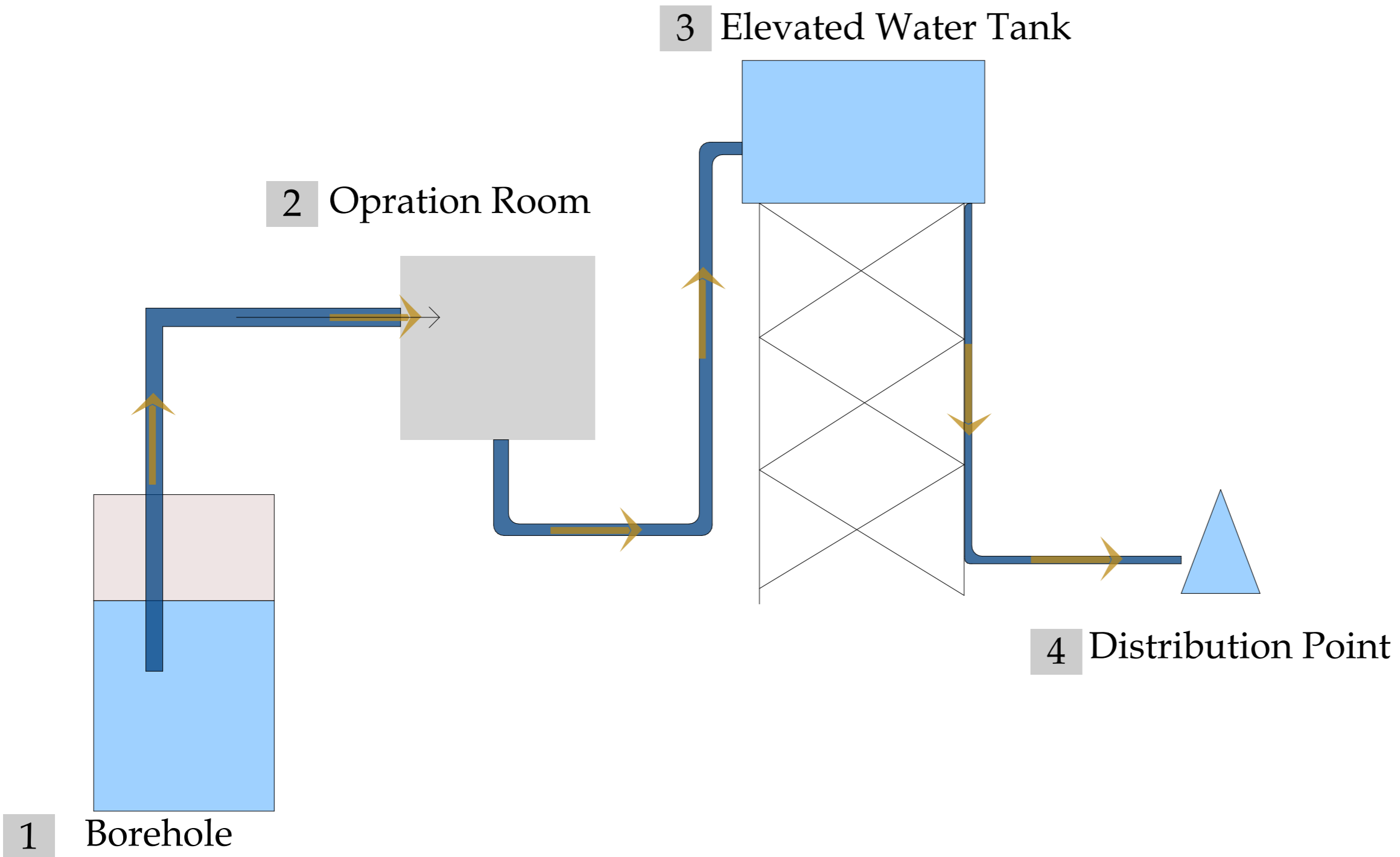
- Basunda HP (Hand Pump)
- Wad kesiba (Water Yard)
- Gezoly (Water Yard)
- Om khraiet (Water Yard)

Lot (10)

- Konina Alber (Water Yard)
- Karima HP (Hand Pump)
- Jazeart aldoood HP (Hand Pump)

CONSULTANT :

Abbas Abdalwahab Abdulraheem



○ Typical Water Yard Diagram

NOTES:

KEY PLAN

No.	Description:	Date
4		
3		
2		
1		
0		

Revisions

PROJECT TITLE:
Sudan THABAT - Enhancing
Community Resilience Project -
Additional Financing (AF)
Component 1 (Community-Led
Basic Services)

Water Treatment Plants (WTPs)

Organization



Donor



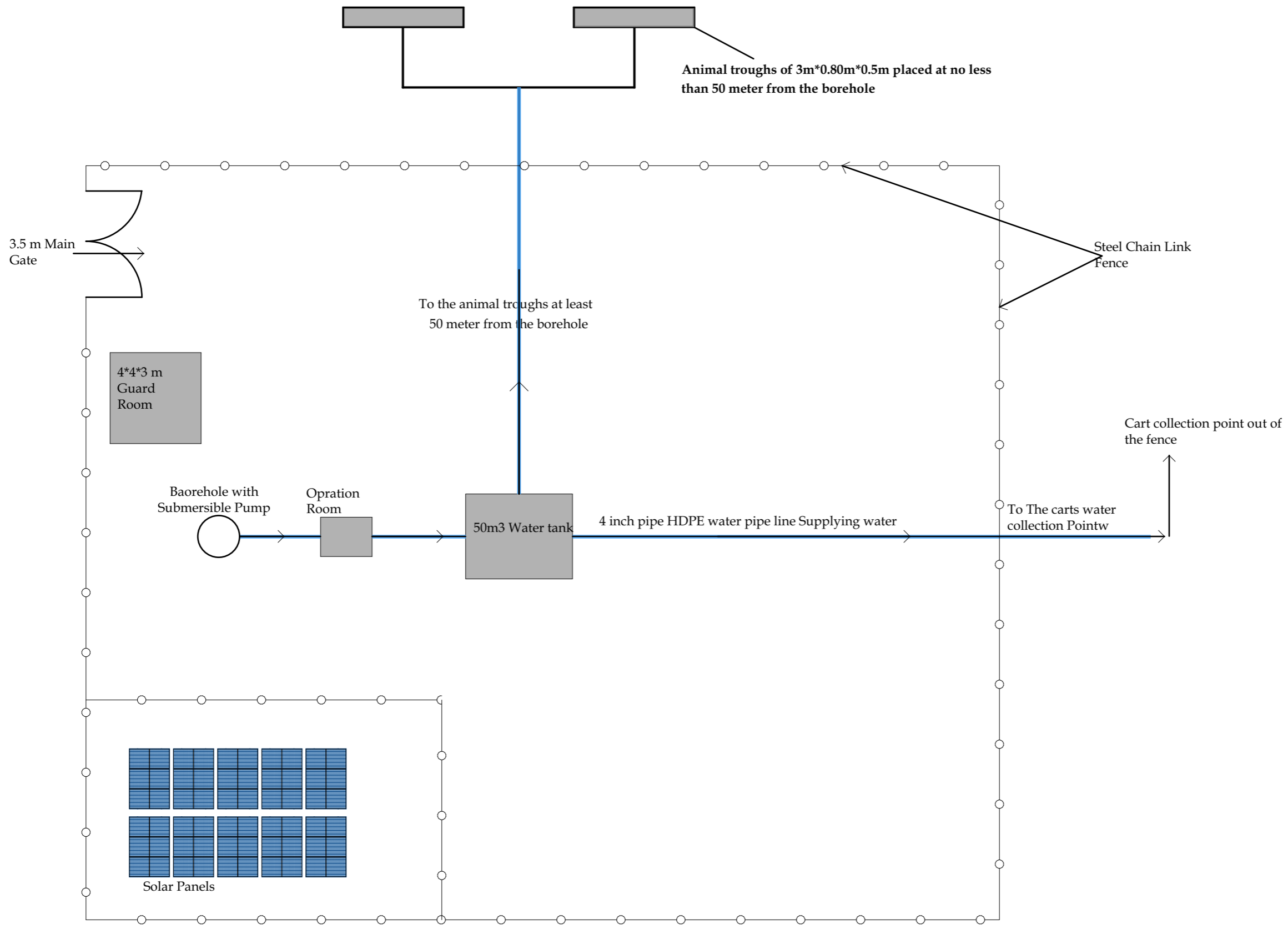
CONSULTANT :

Abbas Abdalwahab Abdulraheem

Drawing Title:

Typical Water Yard Diagram
Lot 9,10&11 Basundah Locality

Org. Sheet Size:	Date:	
A3	October-2025	
	Scale:	
	Sheet No.	Rev. No.
	A.01.01/A	0



Indicative Layout for Water Yards

NOTES:

KEY PLAN

Drawn	Chkd.
-------	-------

4		
3		
2		
1		
0		

No.	Description:	Date
-----	--------------	------

Revisions

PROJECT TITLE:
Sudan THABAT - Enhancing Community Resilience Project - Additional Financing (AF) Component 1 (Community-Led Basic Services)

Water Treatment Plants (WTPs)

Organization



Donor



CONSULTANT :

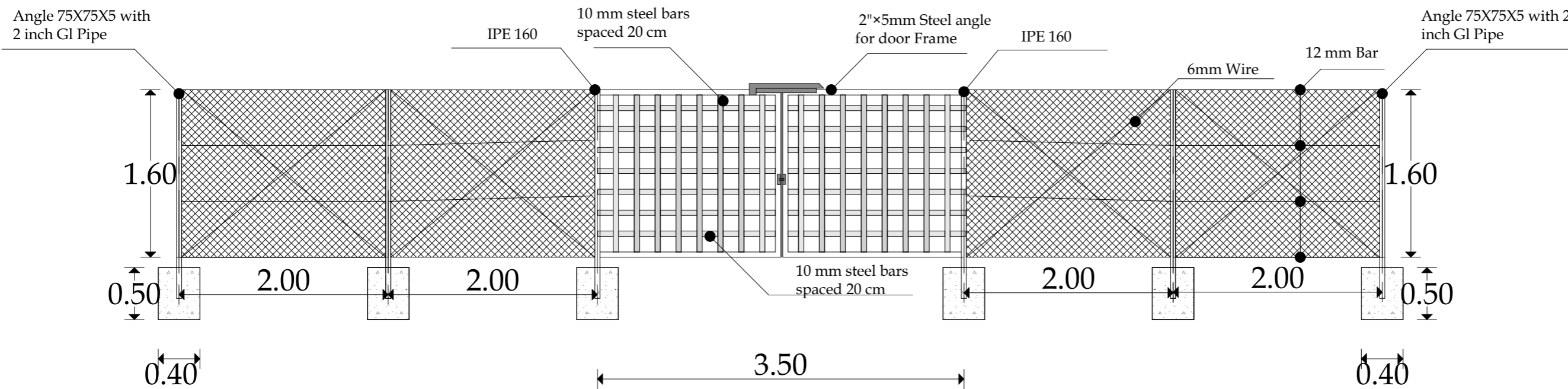
Abbas Abdalwahab Abdulraheem

Drawing Title:

Indicative Layout for Water Yards Lot 9,10&11 Basundah Locality

Org. Sheet Size:	Date:	
A3	October-2025	
	Scale:	
	Sheet No.	Rev. No.
	A.01.01/B	0

NOTES:



○ Typical Fence Design
Scale 1:50

KEY PLAN

Drawn	Chkd.
-------	-------

No.	Description	Date
4		
3		
2		
1		
0		

Revisions

PROJECT TITLE:
Sudan THABAT - Enhancing
Community Resilience Project -
Additional Financing (AF)
Component 1 (Community-Led
Basic Services)

Water Treatment Plants (WTPs)

Organization



Donor



CONSULTANT :

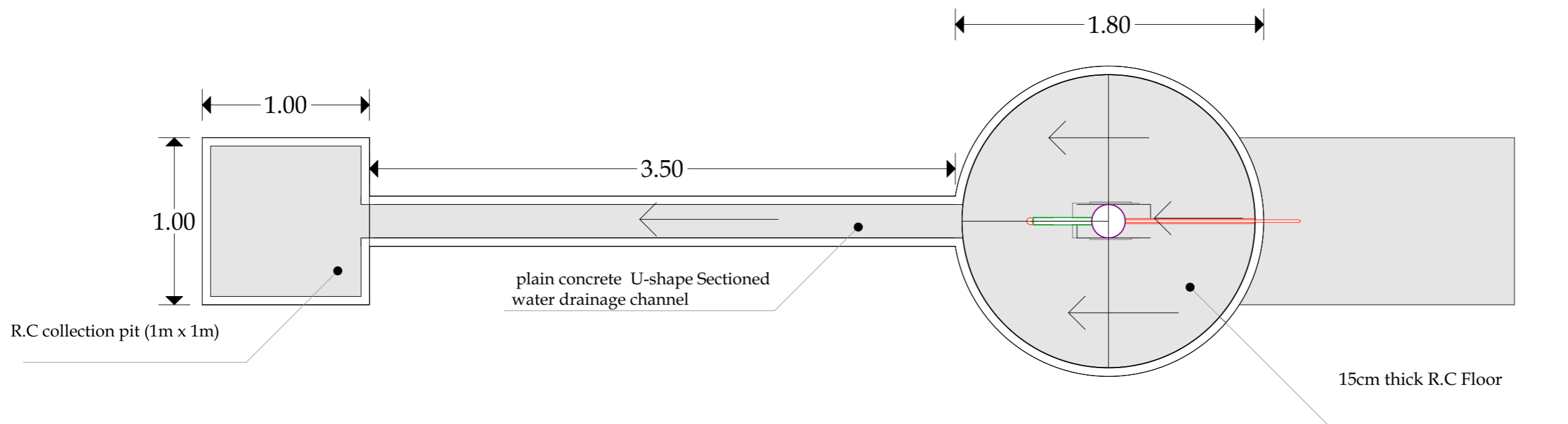
Abbas Abdalwahab Abdulraheem

Drawing Title:

Typical Fence Design
Lot 9,10&11 Basundah Locality

Org. Sheet Size:	Date:	
A3	October-2025	
	Scale:	
Sheet No.	Rev. No.	
A.01.02	0	

NOTES:

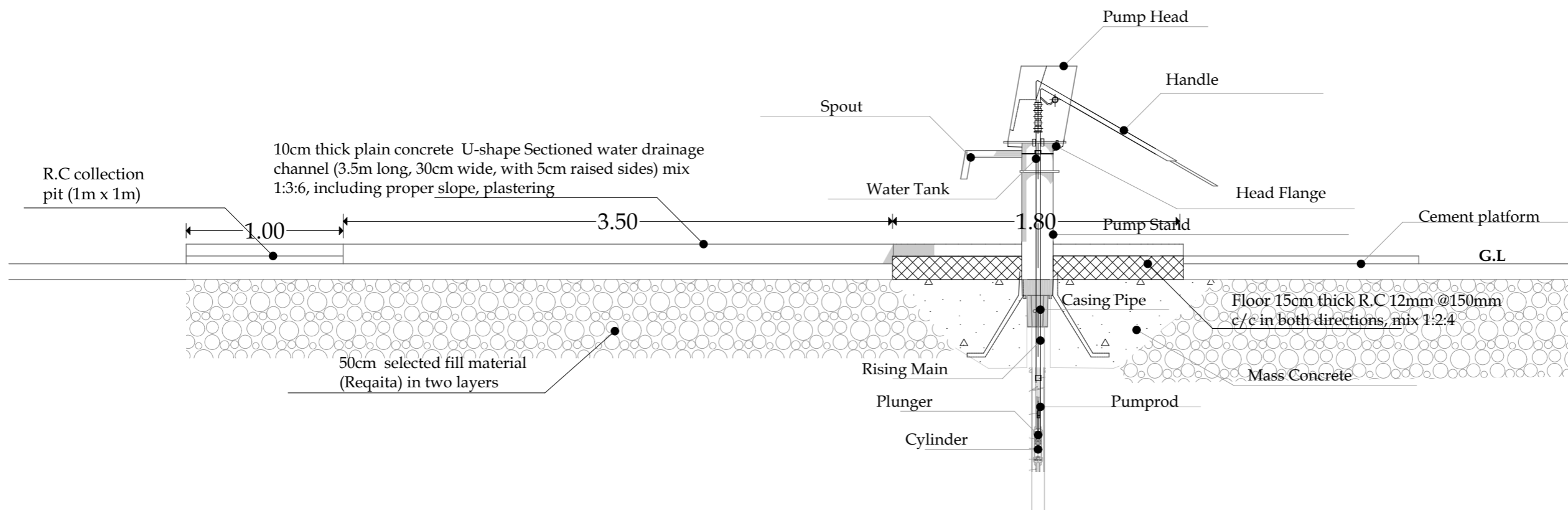


R.C collection pit (1m x 1m)

plain concrete U-shape Sectioned water drainage channel

15cm thick R.C Floor

Plan
Scale (1:30)



R.C collection pit (1m x 1m)

10cm thick plain concrete U-shape Sectioned water drainage channel (3.5m long, 30cm wide, with 5cm raised sides) mix 1:3:6, including proper slope, plastering

50cm selected fill material (Reqaita) in two layers

Floor 15cm thick R.C 12mm @150mm c/c in both directions, mix 1:2:4

Mass Concrete

Section
Scale (1:30)

KEY PLAN

No.	Description	Date
4		
3		
2		
1		
0		

Revisions

PROJECT TITLE:

Sudan THABAT - Enhancing Community Resilience Project - Additional Financing (AF) Component 1 (Community-Led Basic Services)

Water Treatment Plants (WTPs)

Organization



Donor



CONSULTANT :

Abbas Abdalwahab Abdulraheem

Drawing Title:

Typical Hand Pump Design Lot 9,10&11 Basundah Locality

Org. Sheet Size:	Date:	Rev. No.
A3	October-2025	0
	Scale:	
Sheet No.	Rev. No.	
A.01.03		