

Save the Children®

**Save the Children International
Gadarif Office**

**Construction of medical waste
incinerator**

Location : Al-Almangel

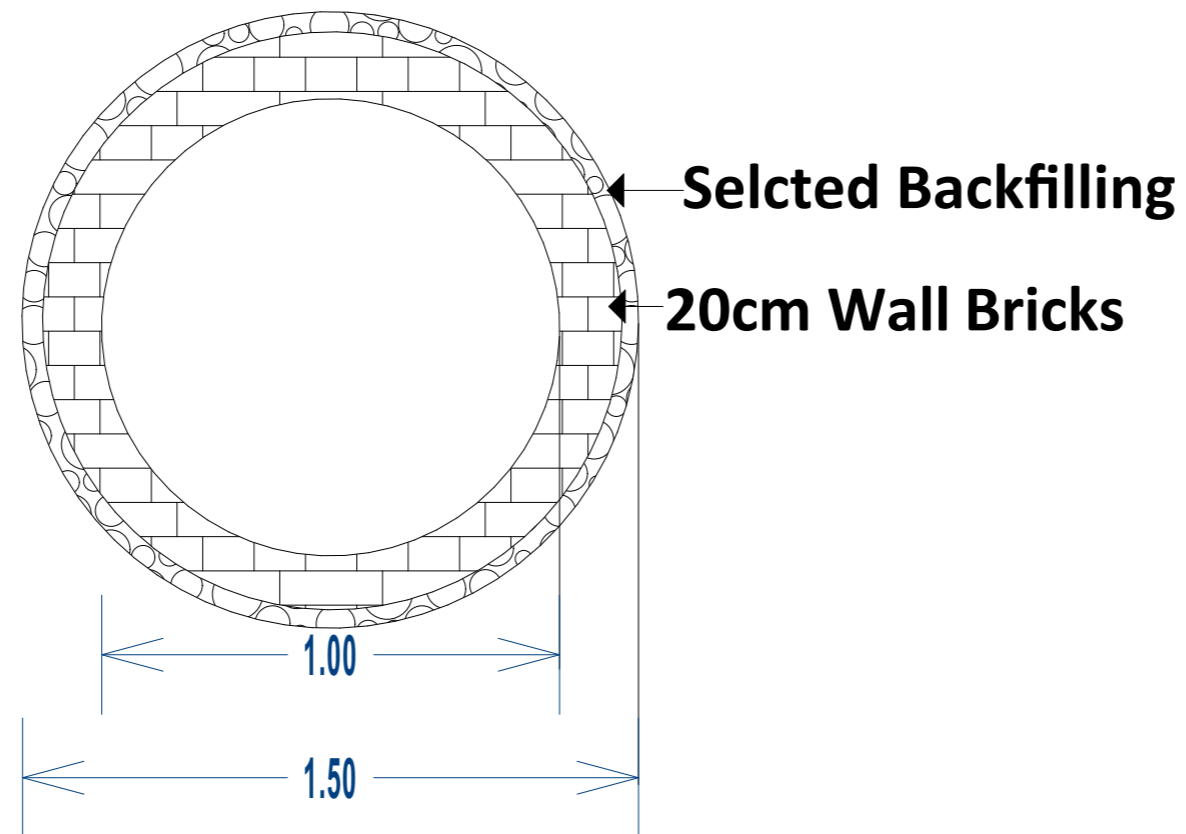
Drawing Title : Section

Date : Dec 2024



Save the Children®

Vertical Section



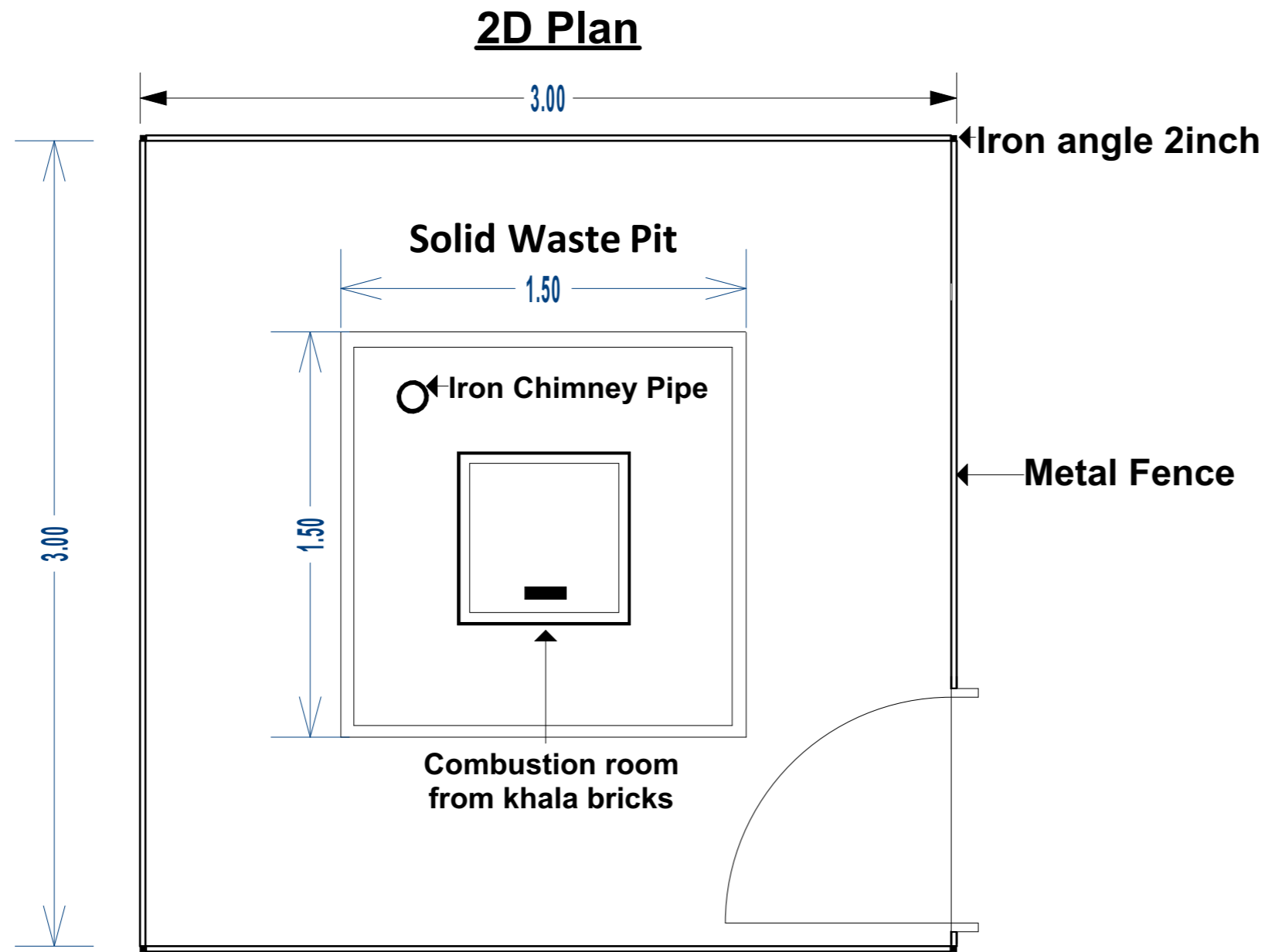
**Save the Children International
Gadarif Office**

**Construction of medical waste
incinerator**

Location : Al-Almangel

Drawing Title : Section

Date : Dec 2024



Save the Children®

**Save the Children International
Gadarif Office**

**Construction of medical waste
incinerator**

Location : Al-Almangel

Drawing Title : Fence Specification

Date : Dec 2024