

DATE: 28 February 2023

REQUEST FOR QUOTATION: No. RFQ/HCR/GSO/2023/003

SUPPLY AND DELIVERY (DDP) OF SCHOOL FURNITURE (DESK + BENCH) TO BASINGA AND TAYA PUBLIC SCHOOLS RESPECTIVELY, BASUNDA LOCALITY, GEDAREF STATE, EAST SUDAN.

QUOTATION TO BE RECEIVED BY: 07 March 2023, 15:00HRS SUDAN STANDARD TIME

The Office of the United Nations High Commissioner for Refugees (UNHCR) established on December 14, 1950, by the United Nations General Assembly requests your price quotation for the **Supply and Delivery (DDP) of School Furniture (Desk + Bench) to Basinga and Taya Public Schools respectively, Basunda Locality, Gedaref State, East Sudan** as per attached Annex A (BOQ & Technical Drawing), and B Financial Offer Form) respectively.

1. REQUIREMENTS

Please include the following price information in your quotation (without VAT).

Description/Specification: Supply and Delivery (DDP) of School Furniture (Desk + Bench) to Basinga and Taya Public Schools respectively, Basunda Locality, Gedaref State, East Sudan as per attached Annex A (Technical Specification & Drawing) and B Financial Offer Form) respectively.

- **Location:** Basinga and Taya Public Schools, Basunda Locality, Gedaref State, East Sudan
- **Delivery time:** One months.

2. RFQ DOCUMENTS-ANNEXES.

The following annexes form an integral part of this Request for Quotation

Annex A: Technical Specification & Drawing

Annex B: Financial Offer Form

Annex C: Vendor Registration Form.

Annex D: UNHCR General Conditions of Contracts for the Provision of Goods and Services - July 2018

Annex E: UN Supplier code of conduct.

Please note that UNHCR has tax and duty exemption status.

BID VALIDITY: You are requested to hold your offer valid for **90 days** from the deadline for submission. UNHCR will make its best effort to select a firm within this period.

PAYMENT: Payment will be made within **30 days** of receipt in UNHCR Gedaref Office of complete documents in good order after satisfactory delivery of goods/services. UNHCR does not undertake to pay by letters of credit or in advance of delivery.

CURRENCY OF PAYMENT: Payment will be made in the currency in which the purchase order is issued.

IMPORTANT:

UNHCR Primary Bank is the Blue Nile Meshrag Bank. UNHCR can only facilitate payments through the local banks and not in banks outside of Sudan. Therefore, the current market condition and Central Bank of Sudan regulations and policies MUST be factored in before submitting your offer.

Vendor Registration Form: If your company is not registered with UNHCR or have not been active or have not received a UNHCR PO for more six (6) months, you should complete, sign and submit with your technical proposal the Vendor Registration Form (Annex C).

For further information on UNHCR, please see <http://www.unhcr.org>

ABLE

3. CLARIFICATIONS

Bidders are required to submit any request for clarification or any question in respect of this RFQ by phone to **Mr. Samir Khalil (0907560647)**. The deadline for receipt of questions is **07 March 2023, 12:00 HRS Sudan Standard Time**. Bidders are requested to keep all questions concise.

Please note that these terms and conditions (**Annex D**) will be strictly adhered to for the purpose of any future contract.

4. YOUR OFFER

Your Offer shall be prepared in **English**.

Please submit your offer using the submission template provided. It should conform to the requirements and contain all information required. The offers not conforming to the requested format will not be taken into consideration for evaluation.

5. RFQ SUBMISSION.

We would appreciate receiving your quotation/offer on or before **07 March 2023, 15:00 HRS Sudan Standard Time** by return only to email: sudgesu@unhcr.org or at the Office of the Supply Unit at UNHCR Sub Office Gedaref located at Dem Hamad West, Gedaref Town.

Please be aware of the fact that the e-mail policy employed by UNHCR limits the size of attachments to a maximum of **[20] Mb** so it may be necessary to send more than one e-mail for the whole submission.

Please indicate in the e-mail subject field:

- RFQ Number: **RFQ/HCR/GSO/2023/003**
- Name of your firm:
- Number of e-mails that are sent (example: 1/2, 2/2)


Bids received after the deadline for submission of bids and bids transmitted in any other manner than those indicated above may not be considered.

Information provided by the bidder will constitute the basis for eventual purchase order(s). UNHCR may, at its discretion, extend the deadline for the submission of proposals, by notifying all prospective suppliers in writing. The extension of the deadline may accompany a modification of the solicitation documents prepared by UNHCR at its own initiative or in response to a clarification requested by a prospective supplier.

Your quotation must be valid at least for **[90] days**. The standard payment terms of UNHCR is net 30 days upon satisfactory delivery of goods or services and acceptance thereof by UNHCR.

Please find attached in (**Annex E**) the UNHCR's General Conditions of Contracts for the Provision of Goods and/or Services-Rev July 2018. You must clearly indicate in your quotation if you accept them.



Thank you for your kind attention.


Alexander B. Woart
Supply Officer
UNHCR Sub Office Gedaref - Sudan



ANNEX A – Technical Specification

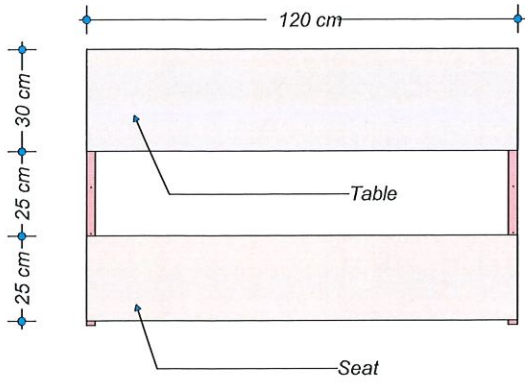
**SUPPLY AND DELIVERY (DDP) OF SCHOOL FURNITURE (DESK + BENCH) TO BASINGA AND TAYA PUBLIC SCHOOLS RESPECTIVELY, BASUNDA LOCALITY, GEDAREF STATE, EAST SUDAN.
RFQ/HCR/GSO/2023/003**

#	Item Description	Specification	Picture
1	School Furniture (Desk + Bench)	Fix Three-Seater Bench and Desk attached as per Annex A1 and deliver to Taya Public School	
2	School Furniture (Desk + Bench)	Fix Three-Seater Bench and Desk attached as per Annex A1 and deliver to Basinga Public School	

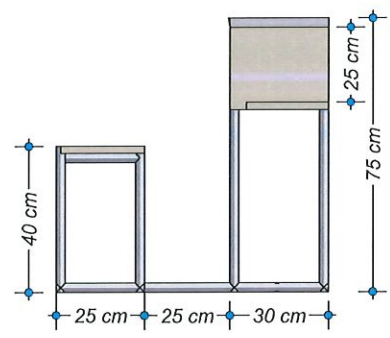
For further information on UNHCR, please see <http://www.unhcr.org>

Handwritten mark: A100

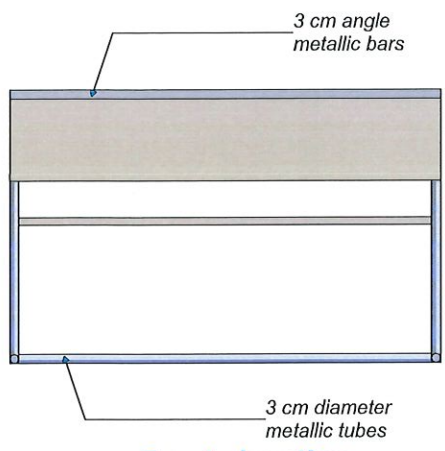
Annex A₁



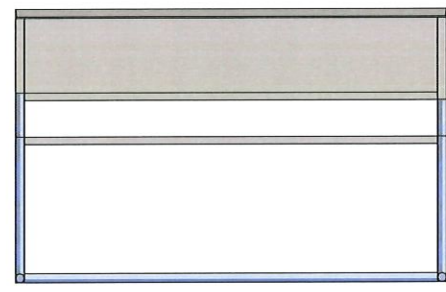
Floor plan



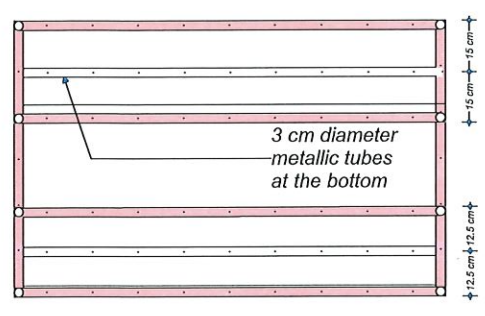
Side elevation



Front elevation



Back elevation



Metallic structure plan



Perspective



Drawn by
Technical unit - Gedaref

Checked by
Education unit - Gedaref

Date
February 2023

Date
February 2023

Drawing Name
Layouts

Drawing Status
Final

Desks for students at Taya and Basinga schools

Drawing Scale
1:20 (A4)

Layout ID
#LayID

Revision
#RevID

ABEL

ANNEX B – FINANCIAL OFFER FORM

RFQ/HCR/GSO/2023/003

SUPPLY AND DELIVERY (DDP) OF SCHOOL FURNITURE (DESK + BENCH) TO BASINGA AND TAYA PUBLIC SCHOOLS RESPECTIVELY, BASUNDA LOCALITY, GEDAREF STATE, EAST SUDAN.

QUANTITY / ANY OTHER DISCOUNTS (PLEASE SPECIFY):

THE PROPOSED DISCOUNTS WILL BECOME AN INTEGRAL PART OF YOUR BID SUBMISSION

PAYMENT TERMS: ACCEPTANCE OF UN PAYMENT TERMS (I.E., 30 DAYS NET FROM RECEIPT OF DOCUMENTS)

YES NO

BIDDER NAME:

#	Item Description	Specification	Unit	Qty	Unit Price (USD)	Total (USD)
1	School Furniture (Desk + Bench)	Fix Three-Seater Bench and Desk attached as per Annex A1 and deliver to Taya Public School. (Cost should be inclusive of delivery)	Each	60		
2	School Furniture (Desk + Bench)	Fix Three-Seater Bench and Desk attached as per Annex A1 and deliver to Basinga Public School. (Cost should be inclusive of delivery)	Each	160		
Grand Total (USD):						

Name of Vendor.....

Address/Telephone No:

Email Address.....

Contact Person:

Delivery time in days:

Total Amount in Words:

Offer Validity Period:

Date:

Signature:

IN THE CAPACITY OF.....

OFFICIAL STAMP:

For further information on UNHCR, please see <http://www.unhcr.org>

ABW